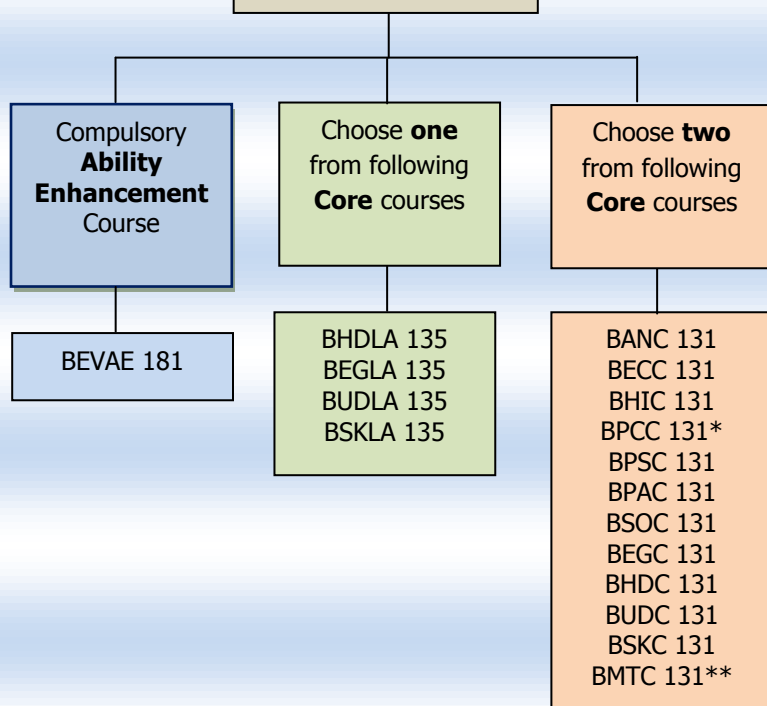


JULY 2019 SESSION – Bachelor of Arts (GENERAL) (BAG): UNDER CBCS PATTERN

- **Total Number of Credits** to be completed during six semesters of BA (General): **132 (22 credits per semester)**
- **Total Number of courses** to be chosen in **every semester: 4**
- **Two disciplines** are to be chosen from following twelve disciplines (**please be careful** while choosing disciplines because you will have to study the same discipline [**Core and Discipline Specific courses**] for all the six semesters)
Anthropology/Economics/History/Political science/Psychology/Public administration/Sociology/Mathematics/Hindi/Urdu/English/Sanskrit

Semester 1

Courses to be Opted



Course Codes with Titles

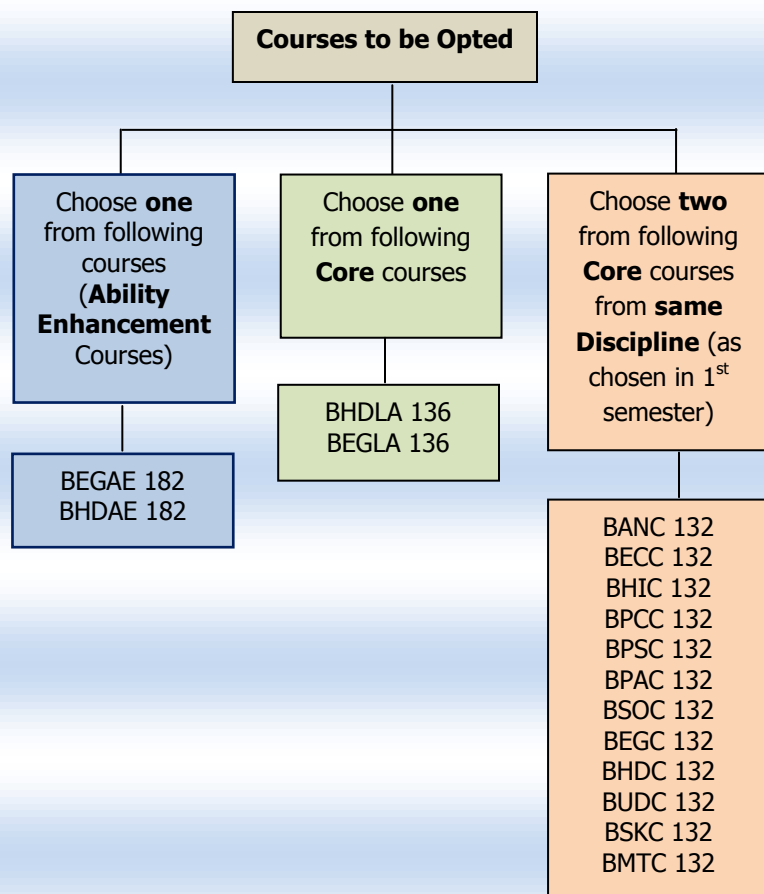
Discipline	Course Code	Title of the Course
Ability Enhancement Course (4 credits)		
	BEVAE 181	Environmental Studies
Core Courses (6 credits each)		
Hindi	BHDLA 135	हिंदी भाषा: विविध प्रयोग
English	BEGLA 135	English In Daily Life
Urdu	BUDLA 135	Study of Modern Urdu Prose & Poetry
Sanskrit	BSKLA 135	संस्कृत साहित्य एवं व्याकरण
Core Courses (6 credits each)		
Anthropology	BANC 131	Anthropology and Research Methods
Economics	BECC 131	Principles of Microeconomics-I
History	BHIC 131	History of India from the Earliest Times upto 300 CE
Psychology	BPCC 131*	Foundations of Psychology
Political Science	BPSC 131	Introduction to Political Theory
Public Administration	BPAC 131	Perspectives on Public Administration
Sociology	BSOC 131	Introduction to Sociology
English	BEGC 131	Individual & Society
Hindi	BHDC 131	हिंदी साहित्य का इतिहास
Urdu	BUDC 131	Study of Prose & Poetic Form in Urdu
Sanskrit	BSKC 131	संस्कृत पद्य साहित्य
Mathematics	BMTc 131**	Calculus

* All Core courses of Psychology will either have a practicum component worth 2 credits (4 Credits Theory and 2 Credits Practicals) or tutorials worth 2 credits (4 Credits theory and 2 Credits tutorial). Wherever there is a practical, there will be no tutorial and vice-versa.

** Mathematics as a subject at 10+2 level is required for opting for courses from Mathematics discipline.

Bachelor of Arts (GENERAL) (BAG): UNDER CBCS PATTERN

Semester 2

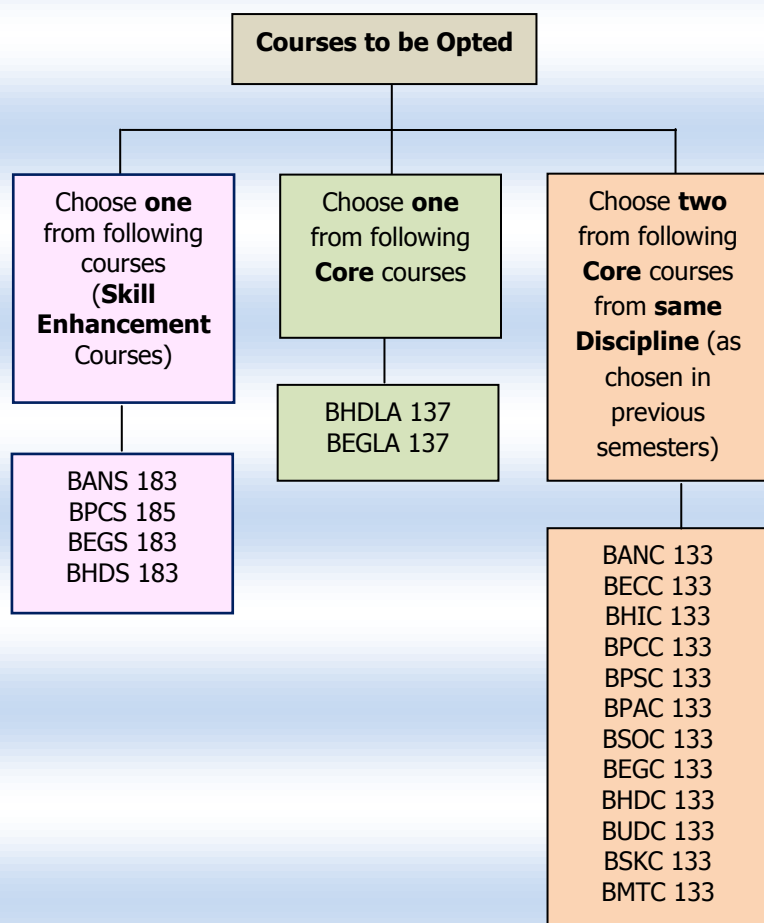


Course Codes with Titles

Discipline	Course Code	Title of the Course
Ability Enhancement Courses (4 credits each)		
	BEGAE 182	English Communication Skills
	BHDAE 182	हिंदी भाषा और संप्रेषण
Core Courses (6 credits each)		
Hindi	BHDLA 136	हिंदी भाषा: लेखन कौशल
English	BEGLA 136	English At The Work Place
Core Courses (6 credits each)		
Anthropology	BANC 132	Fundamentals of Biological Anthropology
Economics	BECC 132	Principles of Microeconomics-II
History	BHIC 132	History of India from C.300 to 1206
Psychology	BPCC 132	Introduction to Social Psychology
Political Science	BPSC 132	Indian Government and Politics
Public Administration	BPAC 132	Administrative Thinkers
Sociology	BSOC 132	Sociology of India
English	BEGC 132	Selections From Indian Writing: Cultural Diversity
Hindi	BHDC 132	मध्यकालीन हिंदी कविता
Urdu	BUDC 132	Study of Urdu Classical Ghazal
Sanskrit	BSKC 132	संस्कृत गद्य साहित्य
Mathematics	BMTC 132	Differential Equations

Bachelor of Arts (GENERAL) (BAG): UNDER CBCS PATTERN

Semester 3



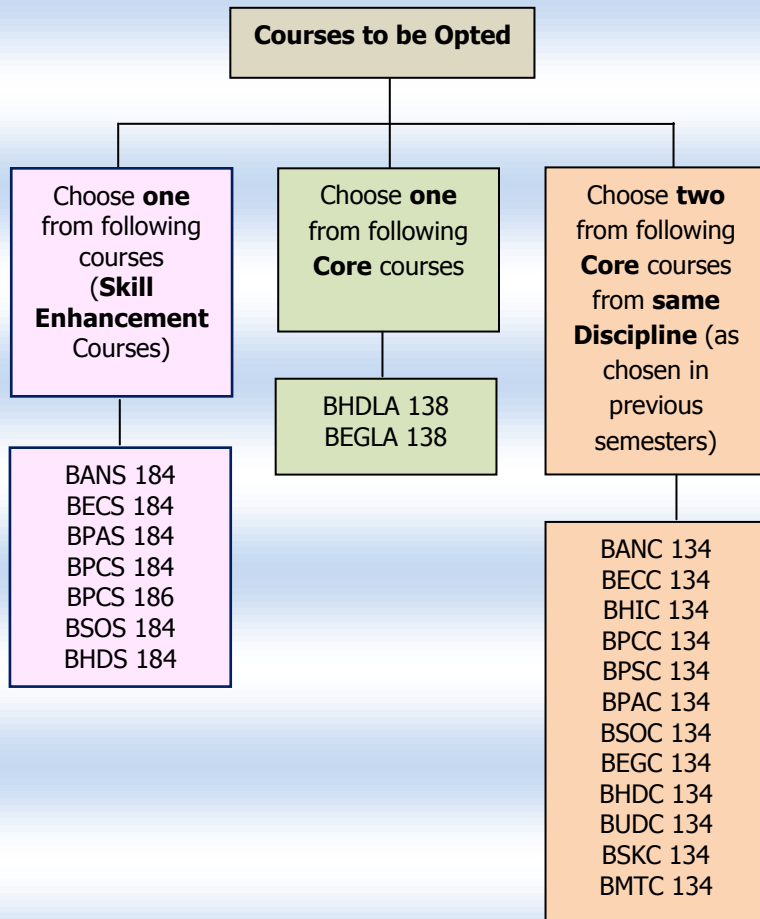
Course Codes with Titles

Discipline	Course Code	Title of the Course
Skill Enhancement Courses (4 credits each)		
Anthropology	BANS 183	Course details awaited
Psychology	BPCS 185	Developing Emotional Competence
English	BEGS 183	Writing And Study Skills
Hindi	BHDS 183	अनुवाद सिद्धांत और प्राविधि
Core Courses (6 credits each)		
Hindi	BHDLA 137	हिंदी भाषा: संप्रेषण कौशल
English	BEGLA 137	Language Through Literature
Core Courses (6 credits each)		
Anthropology	BANC 133	Fundamentals of Social and Cultural Anthropology
Economics	BECC 133	Principles of Macroeconomics-I
History	BHIC 133	History of India from C.1206 to 1707
Psychology	BPCC 133	Psychological Disorders
Political Science	BPSC 133	Comparative Government and Politics
Public Administration	BPAC 133	Administrative system at Union Level
Sociology	BSOC 133	Sociological Theories
English	BEGC 133	British Literature
Hindi	BHDC 133	आधुनिक हिंदी कविता
Urdu	BUDC 133	Origin & Development of Urdu Language
Sanskrit	BSKC 133	संस्कृत नाटक
Mathematics	BMTC 133	Real Analysis

Bachelor of Arts (GENERAL) (BAG): UNDER CBCS PATTERN

Semester 4

Courses to be Opted



Course Codes with Titles

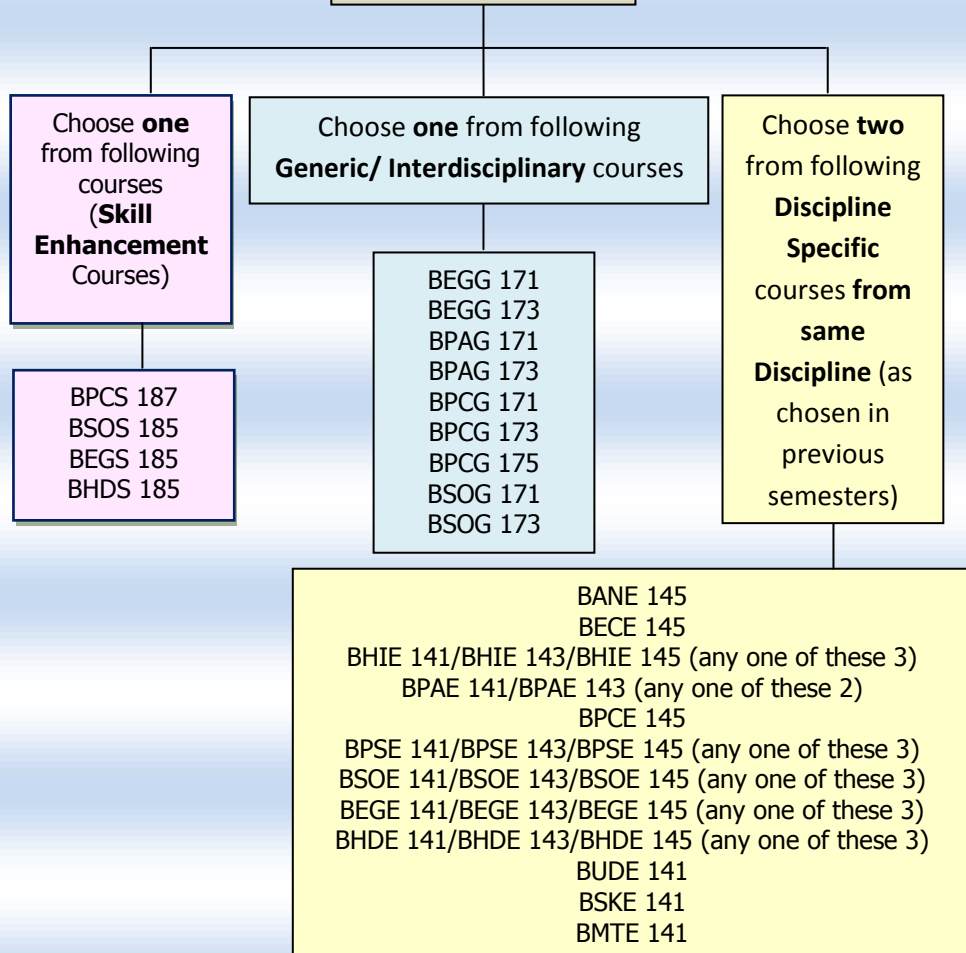
Discipline	Course Code	Title of the Course
Skill Enhancement Courses (4 credits each)		
Anthropology	BANS 184	Course details awaited
Economics	BECS 184	Data Analysis
Public Administration	BPAS 184	Logistics Management
Psychology	BPCS 184	School Psychology
Psychology	BPCS 186	Managing Stress
Sociology	BSOS 184	Techniques of Ethnographic Film Making
Hindi	BHDS 184	रेडियो लेखन
Core Courses (6 credits each)		
Hindi	BHDLA 138	हिंदी भाषा: विविध विधाएँ
English	BEGLA 138	Reading And Speaking Skills
Core Courses (6 credits each)		
Anthropology	BANC 134	Fundamentals of Archaeological Anthropology
Economics	BECC 134	Principles of Macroeconomics-II
History	BHIC 134	History of India from C 1707 to 1950
Psychology	BPCC 134	Statistical Methods and Psychological Research
Political Science	BPSC 134	Introduction to International Relations
Public Administration	BPAC 134	Administrative system at State and District Levels
Sociology	BSOC 134	Methods of Sociological Enquiry
English	BEGC 134	Reading The Novel
Hindi	BHDC 134	हिंदी गद्य साहित्य
Urdu	BUDC 134	Study of Urdu Nazm
Sanskrit	BSKC 134	संस्कृत व्याकरण
Mathematics	BMTc 134	Algebra

Bachelor of Arts (GENERAL) (BAG): UNDER CBCS PATTERN

Semester 5

Course Codes with Titles

Courses to be Opted

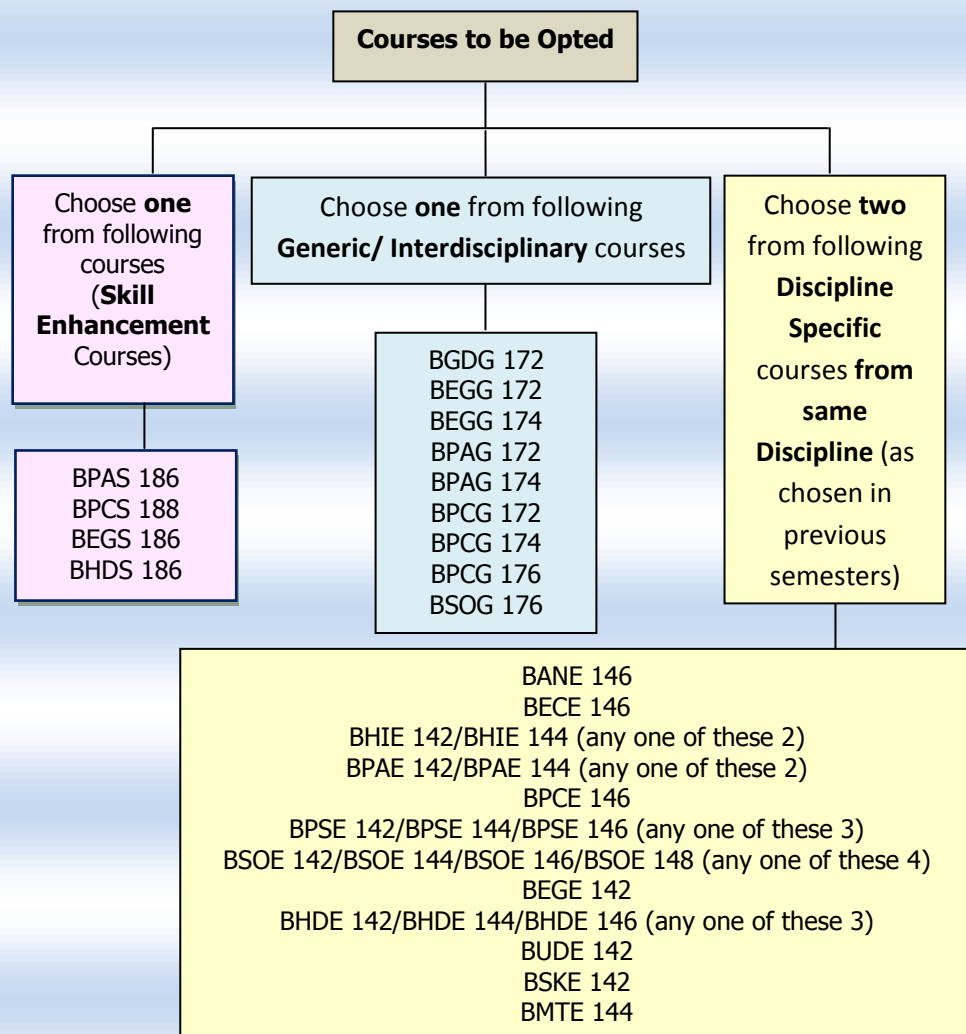


Discipline	Course Code	Title of the Course
Skill Enhancement Courses (4 credits each)		
Psychology	BPCS 187	Managing Human Resources
Sociology	BSOS 185	Society through the Visual
English	BEGS 185	English Language Teaching
Hindi	BHDS 185	टेलीविज़न लेखन
Generic/ Interdisciplinary Courses (6 credits each)		
English	BEGG 171	Media and Communication Skills
English	BEGG 173	Academic Writing & Composition
Public Administration	BPAG 171	Disaster Management
Public Administration	BPAG 173	E-Governance
Psychology	BPCG 171	General Psychology
Psychology	BPCG 173	Psychology for Health and Well-being
Psychology	BPCG 175	Psychology for Living
Sociology	BSOG 171	Indian Society: Images and Realities
Sociology	BSOG 173	Rethinking Development
Discipline Specific Courses (6 credits each)		
Anthropology	BANE 145	Applied Anthropology
Economics	BECE 145	Indian Economy – I
History	BHIE 141	History of China : C. 1840-1978
	BHIE 143	Course details awaited
	BHIE 145	Some aspects of European History : C. 1789 – 1945
Psychology	BPCE 145	Counselling Psychology
Political Science	BPSE 141	Gandhi and the Contemporary World
	BPSE 143	State Politics in India
	BPSE 145	Democracy and Development in Northeast India
Public Administration	BPAE 141	Right to Information
	BPAE 143	Administrative System in BRICS
Sociology	BSOE 141	Course details awaited
	BSOE 143	Course details awaited
	BSOE 145	Religion and Society
English	BEGE 141	Understanding Prose
	BEGE 143	Understanding Poetry Soft Skills
	BEGE 145	Course details awaited
Hindi	BHDE 141	अस्मिता मूलक विमर्श और हिंदी साहित्य
	BHDE 143	प्रेमचंद
	BHDE 145	कबीर
Urdu	BUDE 141	Study of Poet Mirza Ghalib
Sanskrit	BSKE 141	आयुर्वेद के मूल आधार
Mathematics	BMTE 141	Linear Algebra

Bachelor of Arts (GENERAL) (BAG): UNDER CBCS PATTERN

Semester 6

Course Codes with Titles



Discipline	Course Code	Title of the Course
Skill Enhancement Courses (4 credits each)		
Public Administration	BPAS 186	Stress and Time Management
Psychology	BPCS 188	Application of Social Psychology
English	BEGS 186	Business Communication
Hindi	BHDS 186	समाचार संकलन और लेखन
Generic/ Interdisciplinary Courses (6 credits each)		
Gender & Development	BGDG 172	Gender Sensitization: Society and Culture
English	BEGG 172	Language and Linguistics
English	BEGG 174	Creative Writing
Public Administration	BPAG 172	Governance: Issues and Challenges
Public Administration	BPAG 174	Sustainable Development
Psychology	BPCG 172	Youth, Gender and Identity
Psychology	BPCG 174	Psychology and Media
Psychology	BPCG 176	Psychology of Gender
Sociology	BSOG 176	Economy and Society
Discipline Specific Courses (6 credits each)		
Anthropology	BANE 146	Anthropology of Indigenous People
Economics	BECE 146	Indian Economy – II
History	BHIE 142 BHIE 144	History of Environment Traditions of History Writing in India
Psychology	BPCE 146	Industrial/ Organisational Psychology
Political Science	BPSE 142 BPSE 144 BPSE 146	India's Foreign Policy in a Changing World Introduction to South Asia Conflict Resolution and Peacebuilding
Public Administration	BPAE 142 BPAE 144	Organisational Behaviour Social Policies and Administration
Sociology	BSOE 142 BSOE 144 BSOE 146 BSOE 148	Course details awaited Course details awaited Marriage, Family and Kinship Social Stratification
English	BEGE 142	Understanding Drama
Hindi	BHDE 142 BHDE 144 BHDE 146	राष्ट्रीय काव्यधारा छायावाद छायावादोत्तर हिंदी कविता
Urdu	BUDE 142	Study of Prose Writer Meer Amman Dehlawi
Sanskrit	BSKE 142	रंगमंच और नाट्यकला
Mathematics	BMTE 144	Numerical Analysis